

Steel Shelving

DELTA PLUS PRODUCT GUIDE

anco





Delta Plus Product Brochure

Overview

Delta Plus - An Introduction..... **4-5**

Application

Office Solution **6-7**

Mobile Shelving Solution **8-9**

Industrial Solutions..... **10-11**

Distribution Centre **12-13**

E-Commerce Solutions **14-15**

Small Part Picking..... **16-19**

Divider Solutions **20-23**

Configuration

Plan your layout **24 -25**

Components

Side Panels **26 -27**

Slotted shelves..... **28 -29**

Cross Bracing & Back Panels..... **30 -31**

Delta Plus

An Introduction

Delta Plus is our versatile steel shelving system and is the evolution of our popular Delta Edge range. Ideal for the office, library, workshop or warehouse, Delta Plus is the ultimate all-rounder.

Developed in-house in the UK, Delta Plus features an aesthetically attractive yet conveniently simple design. The system is brilliantly adaptable with a choice of plain or slotted shelves adjustable every 25mm. The system boasts a vast range of dividers and accessories making Delta Plus perfect for any brief.



Delta Edge Profile
Offering clean lines and extra rigidity



No protruding clips
Shelf clips are neatly hidden away



Shelf location indicators
Saving time when configuring shelves



Slotted Shelves as standard
Compatible with an array of dividers



Heights	Widths	Depths
Bay heights (mm) 930, 1930, 2230, 2530 Other heights available on request	Widths (mm) 686, 902, 986, 1236	Depths (mm) 300, 362, 400, 450, 500, 600
Application	Construction	Loadings
Environment Library, Office, Storeroom, Warehouse Usage Light Storage, Filing, General Purpose Shelving, Compartment Shelving	Side Panels: Steel Pure White RAL9010 Shelf Clips: Steel Shelves: Steel Pure White RAL9010	Shelf UDL up to 100kg Max Bay Load 600kg

Application: Office Solution

With its steel construction, clean lines and attractive aesthetics, Delta Plus will blend right into the office whilst offering a highly practical and functional storage solution.

Hidden shelf clips and wide open bays maximise the space available to store items common within the office environment – archiving, filing, stationary and more. Accessories and dividers allow additional scope to organise items neatly, reducing time and stress.



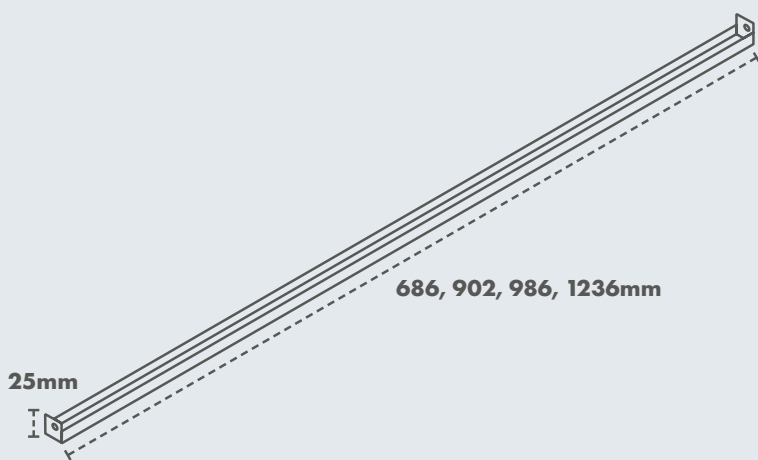
Lateral Filing
Solid shelves support 330mm lateral suspension files



Fully Adjustable Shelves
Delta Plus offers a 25mm shelf pitch



Base Plinth
Sits flush with the floor and prevents items entering the space under the bay



Base Plinth

A Base Plinth can be installed to the bottom of a bay of shelving . A Base Plinth allows a bay of shelving to sit flush with the floor and prevents items entering the space below the bay of shelving. Base plinths are perfect for the office environment and are secured simply using just two nuts and two bolts.



Undershelf Lateral Filing

Our 362mm solid shelf has been designed to hold 330mm lateral suspension files. Lateral suspension files are extremely easy to install, simply clip on either side of the undershelf and position your file as you wish. Files can be moved across the entire shelf.



Application: Mobile Shelving

Delta Plus can be integrated into a mobile shelving solution ideal for libraries, banks, offices and more.

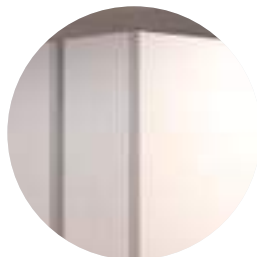
Mobile shelving is effective in saving space by eliminating the need for several aisles. Because the shelving moves along floor tracks, the space for only one aisle is needed. When an item is required, the particular shelving bay is identified and an adjacent aisle is created by moving the mobile shelving units apart. Mobile shelving is operated by pull handles or hand operated mechanical systems.

Roll-a-side mobile shelving is useful in small offices or awkwardly shaped areas, such as corridors or alcoves. Delta Plus bays are mounted to low profile mobile bases and tracks that are simply rolled aside to reach the units behind.



Easily Adjustable

Mobile shelving can be moved using a pull handle or a mechanical system



Safe & Secure

Delta Plus' back and side panels combined with a locking mechanism keeps items secured



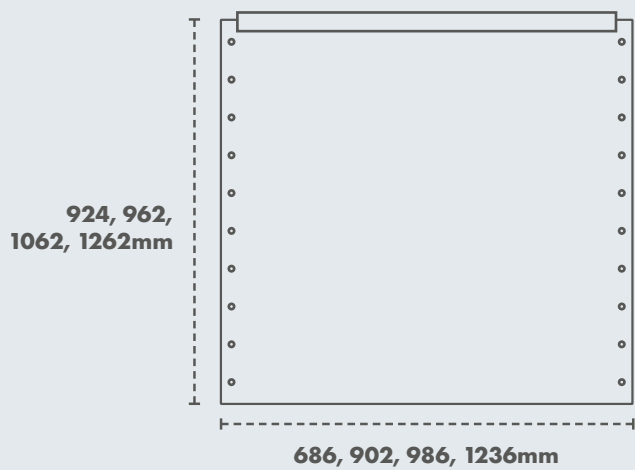


Application: Industrial Solution

Delta Plus is an excellent solution for industrial environments including warehouses and distribution centres.

The system features hard wearing steel shelves which support shelf loads of up to 100kg (UDL). Shelf location indicators ensure the installation process is extremely easy, saving installers time, especially when building a run of bays. Delta Plus features a design which maximises picking space, making the system ideal for industrial applications.



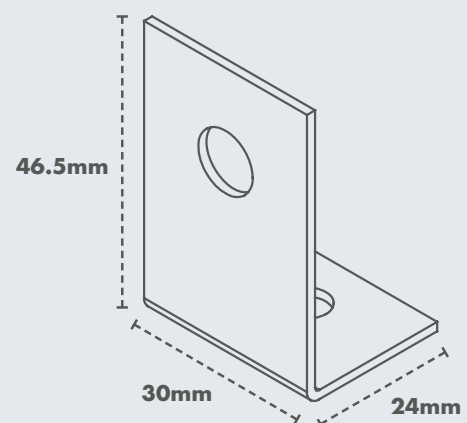


Back Panel

Delta Plus is available with a choice of cross bracing or a solid steel back panel. The cladding option offers additional safety and security and matches the side panels. Back panels can be simply and quickly secured and are compatible with all Delta Plus size options.

Metal Footplate

Metal footplates add stability to installations of shelving above four-to-one height to depth ratios. Delta Plus footplates can be secured discretely to the Delta Plus via a base plinth. Use of a Delta Plus metal footplate ensures security and stability.



Application: Distribution Centre

Owing to its versatile sizing, sturdy construction, ease of picking and its ease of installation and reconfiguration, Delta Plus is a brilliant option for Distribution Centres.

Delta Plus maximises space for picking with hidden shelf clips and sleek, unintrusive side panels. Our 450mm and 600mm deep shelves fit perfectly with BDC and BDCM garment cartons – perfect for companies specialising in mail order or fashion.



Binning Solutions
Ideal for small part picking



Wide Open Bays
We've maximised space for items



BDC & BDCM Compatible
Perfect for garment picking

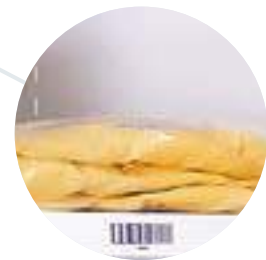


Application: E-Commerce Solutions

In an age of increased autonomy, managing internet orders can be a time consuming manual process. One such process that can be made simpler is the handling and organisation of e-commerce returns. Delta Plus bays are easily configurable to suit different items of stock. The number and size of compartments can be easily extended and reconfigured. A range of cartons, trays and plastic bins are also available to extend the flexibility of the system. All of this makes Delta Plus ideal for retailers looking for an efficient way to process orders and returns.



Divider System
Use dividers to create compartments



Perfect for Garments
Use compartments to subdivide sealed garments



Application: Small Part Picking

Delta Plus is fully compatible with a range of small part picking boxes including Rhino Plastic Bins and Shelf Trays.

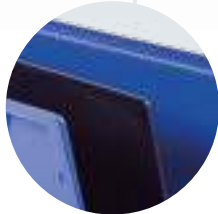
Our ergonomic Plastic Bins are supplied with a shock proof plastic shell and are available in four different colours. Shelf Trays can be supplied with a spring loaded handle which catches the upper shelf. The spring loaded handle suspends the shelf tray allowing for approximately 90% clear picking. Both our Bins and Shelf Trays are made from a tough plastic and are available with dividers, allowing for sub-division of small items. Rhino Plastic Bins are available with a lifetime guarantee.



Rhino Plastic Bins



Large Label Area
Clearly identify items



Slot-In Divider
Sub-Divide small parts



Reinforced Side Walls
Made in shock-proof plastic



Wide Stacking Base
Stabilises stacked bins

Shelf Trays



Front Cover Label
Clearly identify items



Dividers (available with label)
Sub-Divide small parts

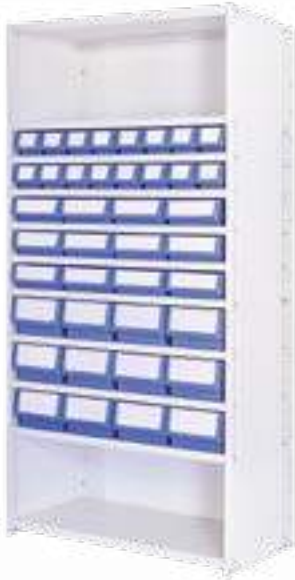


Spring loaded handle
Allows for 90% clear picking

Application:

Delta Plus Bays with Shelf Trays

Available 300mm, 400mm and 500mm deep



Bay Configuration A
16x ST-109, 12x ST-209, 12x ST-214



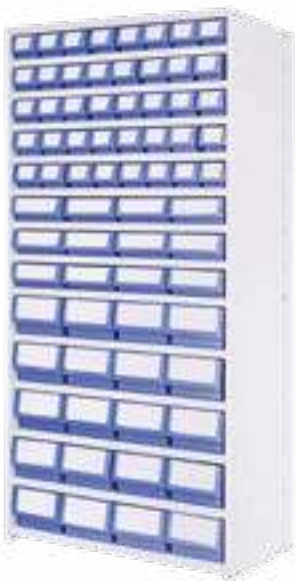
Bay Configuration B
64x ST-109



Bay Configuration C
32x ST-209



Bay Configuration D
28x ST-214



Bay Configuration E
40x ST-109, 12x ST-209, 20x ST-214



Bay Configuration F
120x ST-109



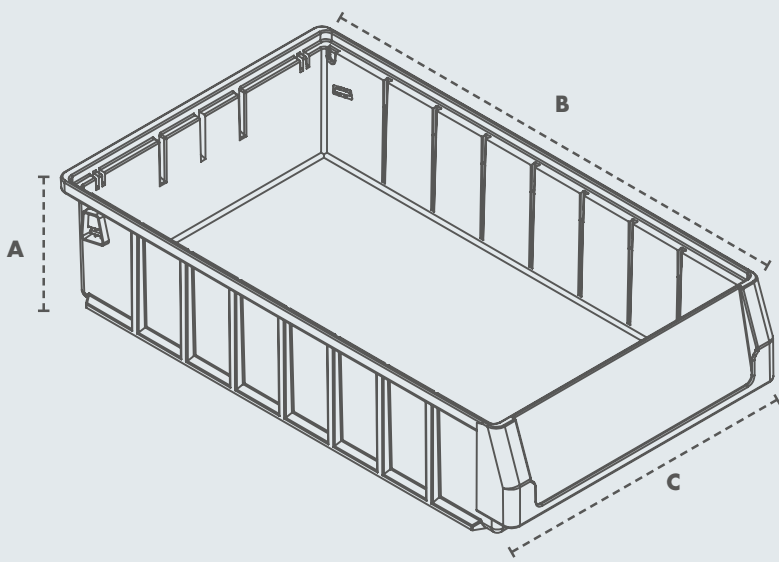
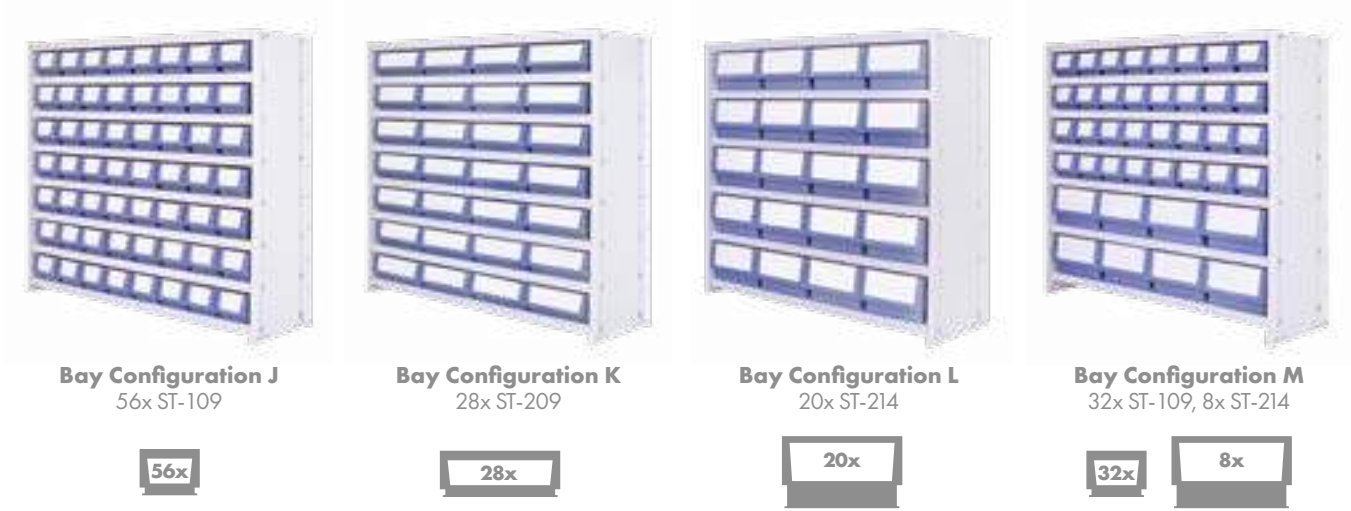
Bay Configuration G
60x ST-209



Bay Configuration H
40x ST-214



All bays are 1930mm high x 986mm wide



	A	B	C
ST-109	90mm	300mm, 400mm, 500mm	117mm
ST-209	90mm	300mm, 400mm, 500mm	234mm
ST-214	140mm	300mm, 400mm, 500mm	234mm



Application: Divider Solutions

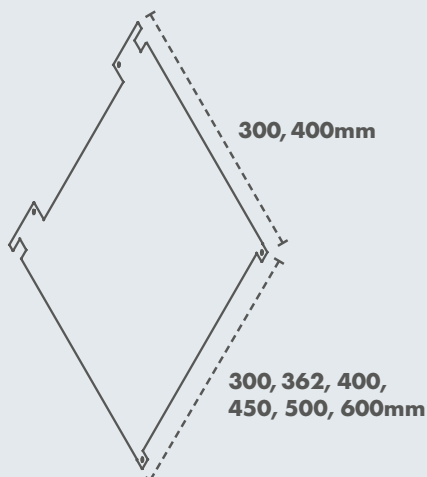
Our Delta Plus divider options provide an effective way of storing loose and awkward items.

Delta Plus is available with three divider options. Slot-in and fixed height dividers connect with Delta Plus' slotted shelves and can be positioned at 50mm intervals across the shelf. Freestanding Dividers can be positioned anywhere across the shelf and work with both slotted and solid shelves. In addition, we are able to supply bin fronts and back stops which provide extra security for small parts and loose items which may be held within the dividers.



Connections at top and bottom of divider

Fixed height dividers can be secured via slotted shelves



Fixed Height Divider

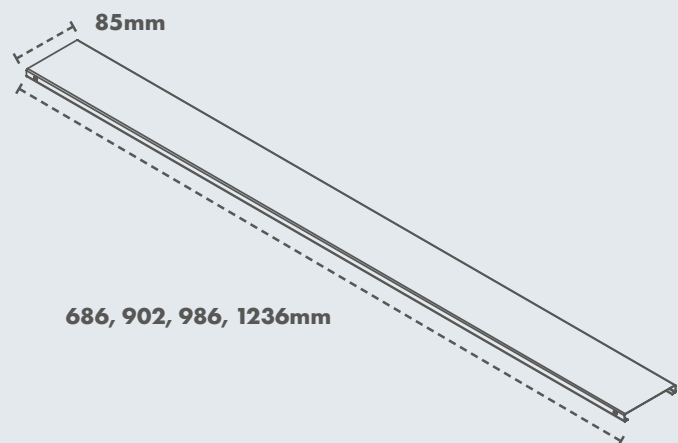
Fixed Height Dividers connect to the slotted shelves above and beneath the divider. Fixed Height Dividers allow for full height compartments to be created, fully securing loose items in place. Other heights are available on request.



Back Stop
Prevents items falling from back of bay when bracing is used



Bin Front
Secures loose items. Compatible with all three divider options. Bin fronts simply drop in at the edge of the shelf.



Bin Front

Front Panels close the bin shelf at the picking face and form a tray for storing loose goods. The Bin Front can also be used at the rear of the shelf to provide added security when using bracing.



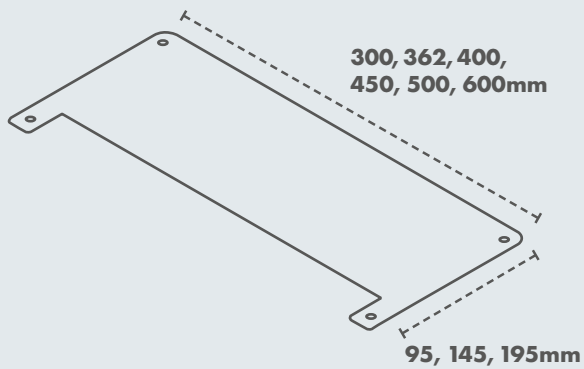
Bin Front

Secures loose items. Compatible with all three divider options



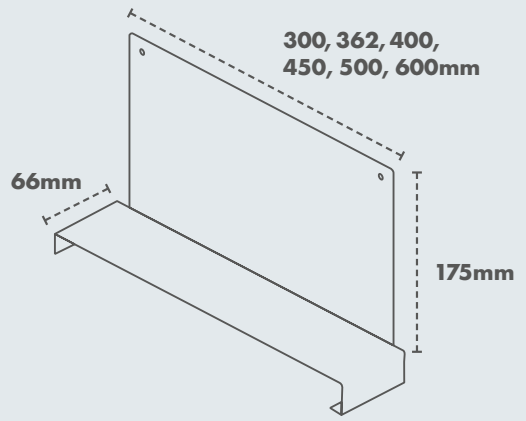
Easy to adjust

Slot-In Dividers can be positioned every 15mm



Slot-In Divider

Slot-In Dividers allow for the creation of compartments for small or loose items. Dividers simply 'slot-in' into the Delta Plus slotted shelves. They are extremely easy to reconfigure, with dividers installable in 50mm increments across the shelf. Other heights are available on request.



Freestanding Divider

Freestanding Dividers are the most adaptable of our divider options. Freestanding Dividers simply clip on either side of the shelf and can be configured at any location



Fully Adjustable
Freestanding dividers simply slide across the shelf as required

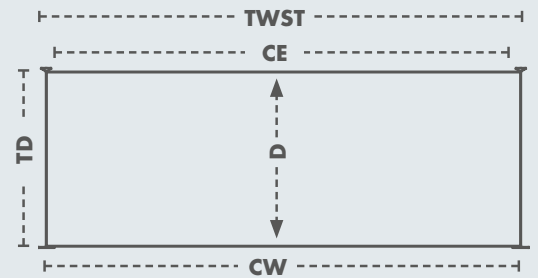


Works with solid shelves
No need for slotted shelves, our freestanding dividers simply clip on

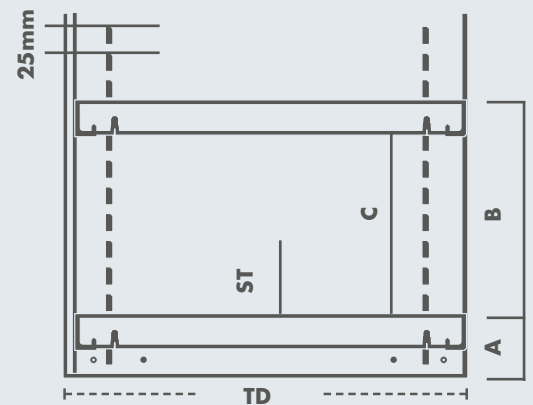


Bin Front
Secures loose items. Compatible with all three divider options

Configuration: Plan your layout

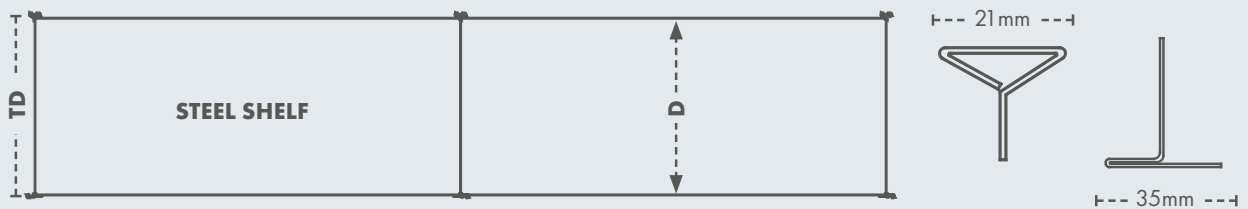
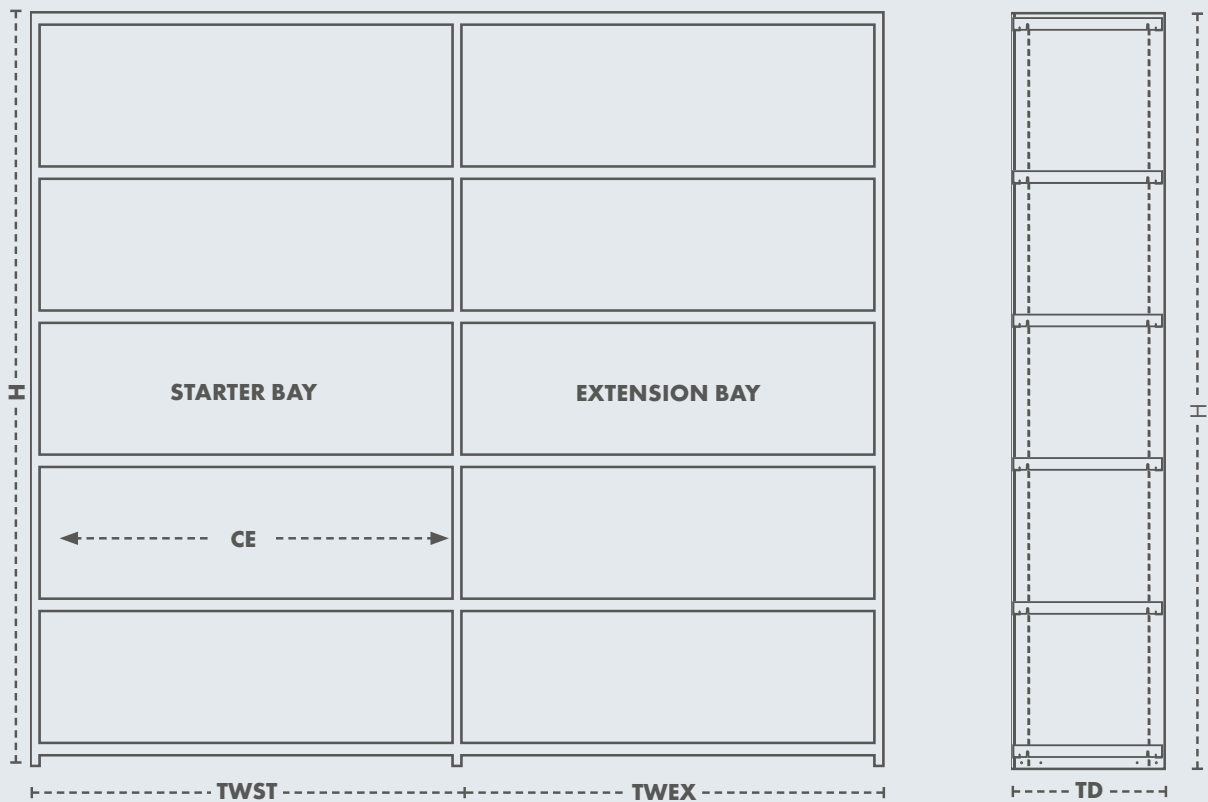


- H** Nominal Height = 930, 1930, 2230, 2530mm
- W** Nominal Width = 686, 902, 986, 1236mm
- D** Nominal Depth = 300, 362, 400, 450, 500, 600mm
- CE** Clear Entry (CE = W-20mm)
- TWST** Total Width Starter Bay (TWST = W+36mm)
- TWEX** Total Width Extension Bay (TWST = W+1mm)
- CW** Centre Width (CW = W+1mm)
- TD** Total (TD = D+12mm)



- A** Minimum first shelf level height = 56mm*
- B** Shelf Pitch - Distance between levels = Every 25mm
- C** Clear entry - space between levels
- ST** Shelf Thickness = 30mm

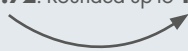
*If using metal feet and/or a plinth, the minimum first shelf level height remains 56mm



How to calculate exact shelf pitch

If you know the height of the item to be stored, here is a simple formula to calculate the shelf pitch.

213 (Example item height) + **30** (Shelf Thickness) ÷ **25** (Shelf Pitch) = **9.72**. Rounded up to **10** x **25** (Shelf Pitch) = **250** (Example shelf pitch)



Components: Side Panels

Bays of Delta Plus are supplied with solid steel side panels. The Side Panels feature an unintrusive low profile Delta front profile, making items extremely accessible.

Delta Plus side panels boast a sleek and modern feel with a Pure White (RAL9010) finish. As side panels are constructed from solid steel you can be assured that stored items are secured in place without any danger of them falling from the sides. Delta Plus side panels also feature handy shelf location indicators every 100mm (with an overall shelf pitch of 25mm) making installation quick and easy.



Delta Edge Profile

Adding strength and accessibility



No protruding clips

Maximises storage space



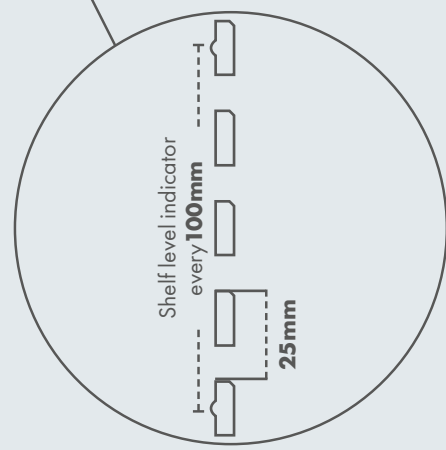
Shelf location indicators

Saves time, helps ensure correct shelf pitch during installation





H = 930, 1930, 2230, 2530mm (Other heights available on request)
D = 300, 362, 400, 450, 500, 600mm



Components: Shelf Options

Delta Plus is supplied with a choice of two shelf types - slotted or plain. Both shelf options are made of a robust steel and offer loading capacities of up to 100kg UDL.

Slotted shelves are compatible with our full divider range (Pages 20-23) allowing for compartmentalised storage with slots for dividers every 50mm. Solid shelves are compatible with freestanding dividers and feature an undershelf lateral filing system for use with suspended lateral files. Both shelves are finished in Pure White (RAL 9010).



Slotted or Solid

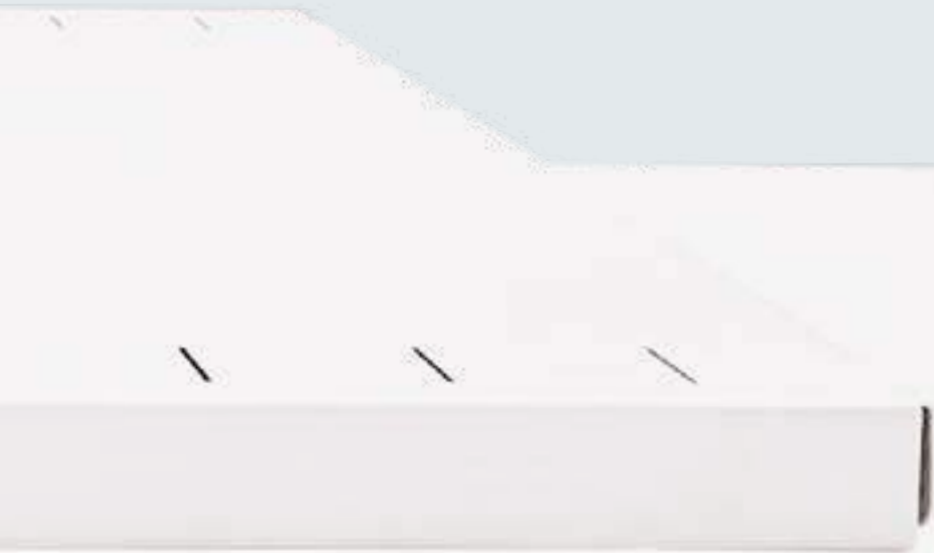
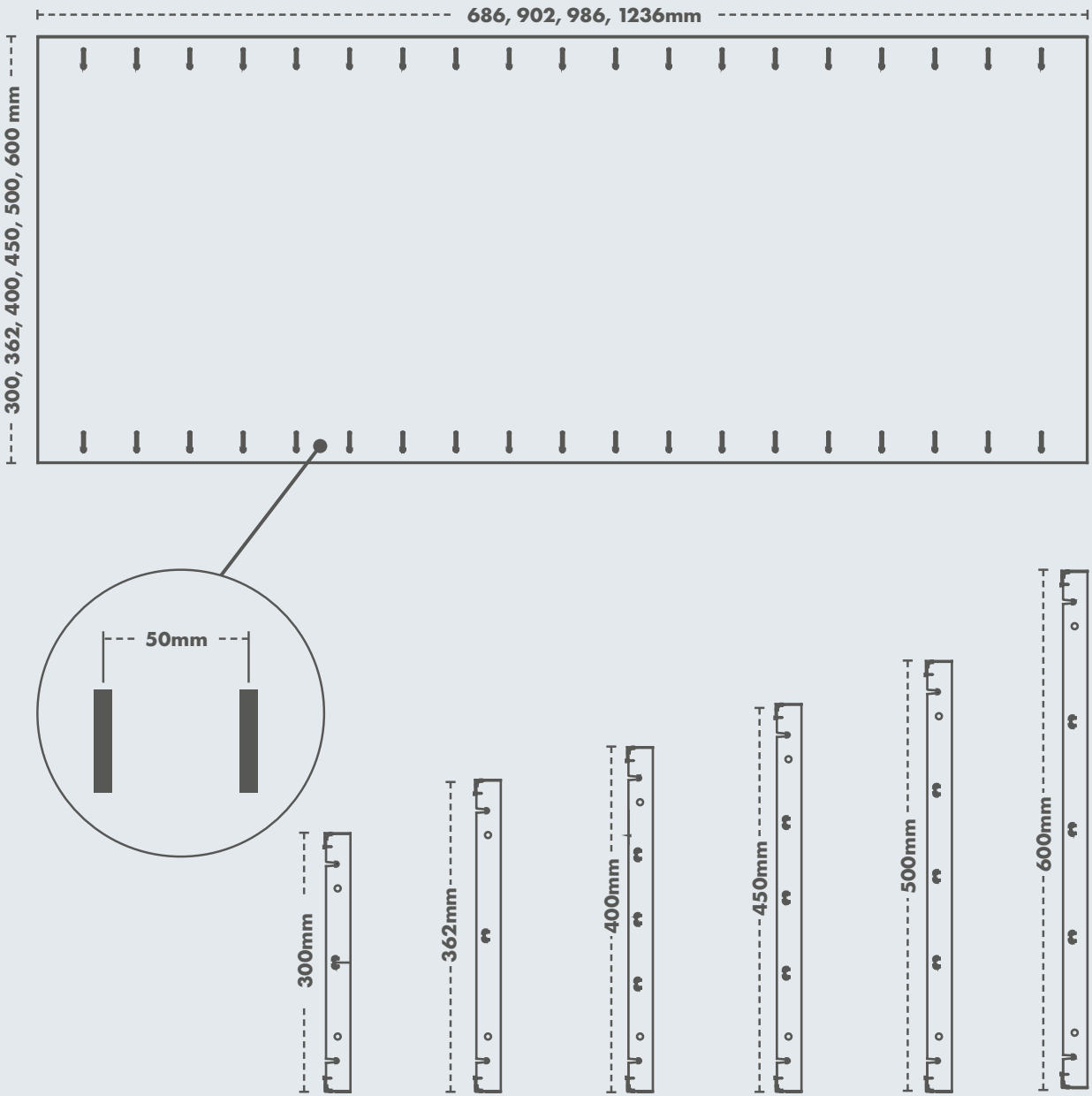
Choose from solid or slotted shelves



Compatible with dividers

Slotted shelves compatible with all three dividers

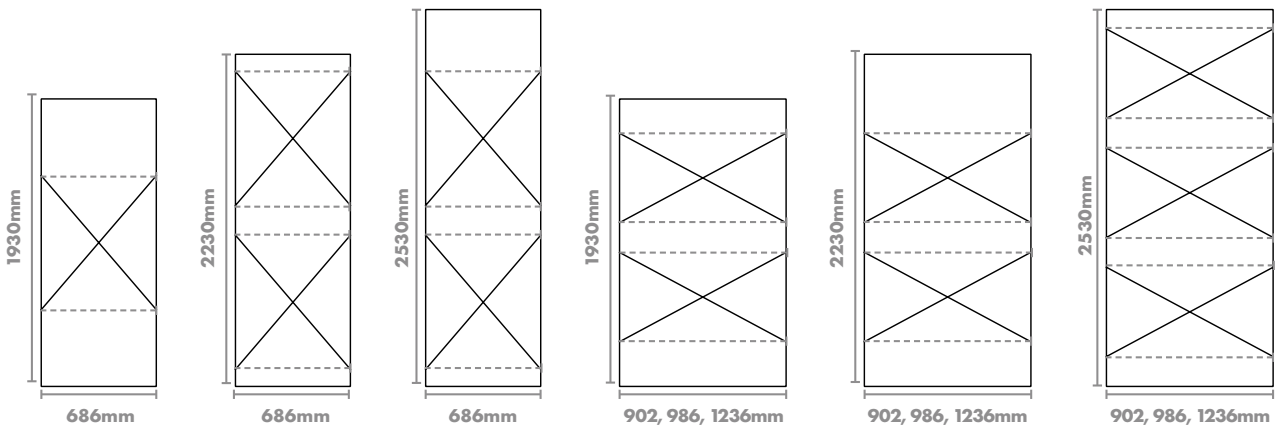




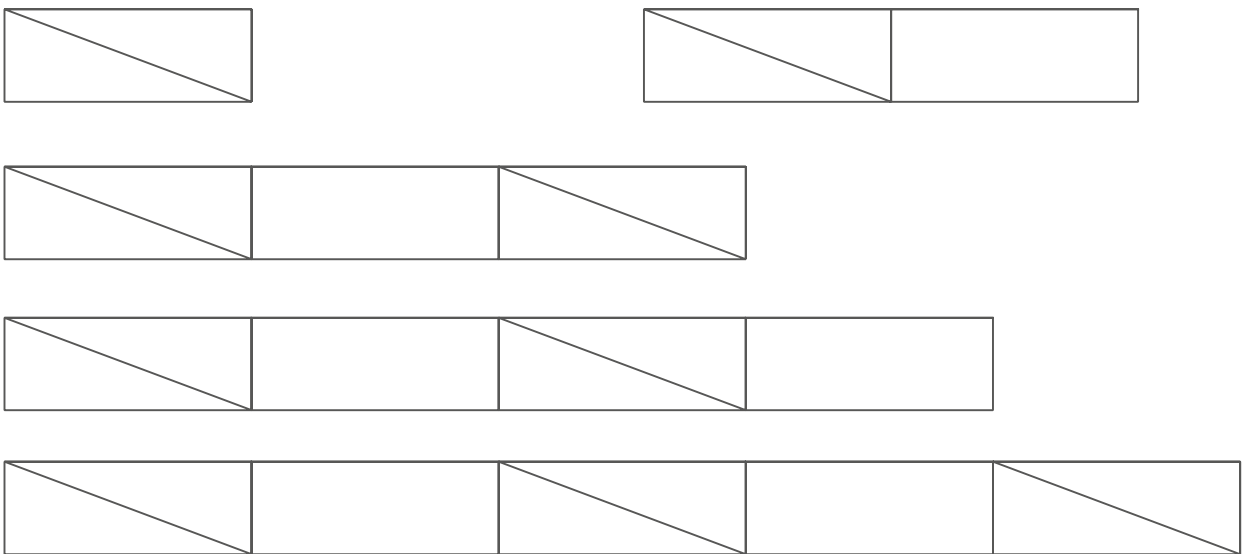
Components: Cross Bracing & Back Panels

Delta Plus can be assembled with either a back panel or cross bracing.

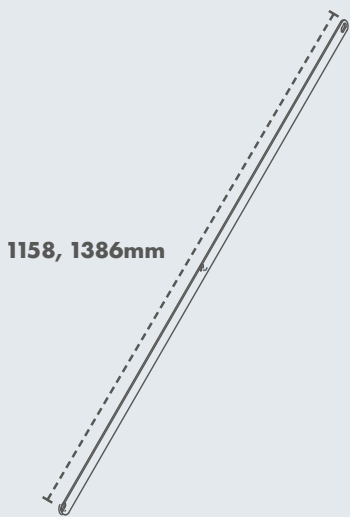
The use of Cross Bracing ensures the bay is secured in place and can be installed quickly and easily with five M6 head bolts and nuts. Bays can be configured with a backstop bin front. A braced bay delivers a maximum overall bay load of up to 600kg and 100kg UDL per shelf.



Bracing Pattern



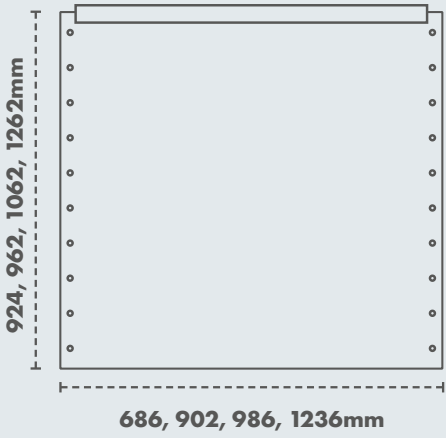
Bracing to be fitted every two bays in a run



1158, 1386mm

Cross Bracing

Cross Bracing is fixed to the rear of a bay of shelving and adds stability where a back panel is not used.



924, 962, 1062, 1262mm

686, 902, 986, 1236mm

Back Panel

The use of a solid sheet back panel secures items in place and provides protection in demanding environments.

 **01403 785985**

www.ancostorage.co.uk

